



### Description

DME PROLINK's Pre-Terminated Fiber Solution is best fit solution for Data Centers where performance, scalability and flexibility are critical. The solution is based on basic building blocks which are Pre-Terminated Trunk Cable, MPO Plug/Play Modules (Cassettes), HD Fiber Enclosure, Adapters and Jumpers. All are custom configured. The Trunk Cables are Pre-terminated and Pre-tested in factory to assure seamless performance for long term. The solution uses new generation MTP connectors which is compatible with MPO connectors offering much better performance. The advantage about this solution is reduced installation time, increased density and guaranteed performance.

The solution provides an optical channel that is guaranteed to be compliant with ANSI/TIA-568.3-D Standard. DME PROLINK quality personals ensures product reliability through rigorous qualification testing to assure cable performance and durability in adverse field environments. Excellent quality control is achieved through intense in-house quality check and stringent audit acceptance by ISO 9001.

### Features of HD Fiber Enclosure

- 19" Rack Mount Type
- 1U (144 cores), 2U (288 cores), 4U (576 cores)
- Light Weight Design (Aluminum)
- Accommodate DME Prolink high-density easy-plug MTP/MPO to LC fiber cassettes
- Rivet buckle lockable design avoid sliding
- Easy Labeling provision for easy identification
- Specialized design to support bending radii
- Complies with ANSI/TIA-568.3-D
- RoHS Compliant
- Accepts DME PROLINK compliant adapters/couplers.
- HD Fiber Enclosures can be ordered configured.
- 25 Years System Warranty



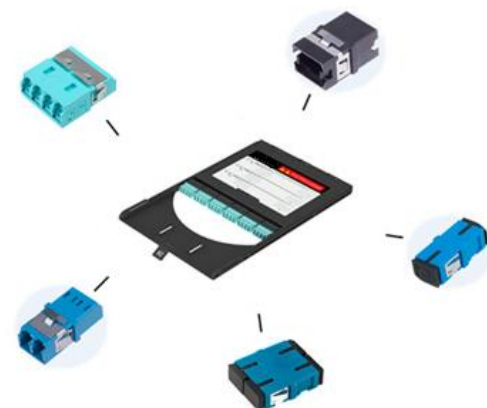
### Specification for HD Enclosure Types

HD Enclosure Type	1U	2U	4U
Size	485*470*44mm	485*470*88mm	485*470*176mm
Weight (with Cassette)	4.0 kg	6.5 kg	11.5 kg
Capacity	144F (LC) /72F (SC)	288F (LC) /144F (SC)	576F (LC) /288F (SC)
Operating Temperature	-25°C to +70°C		
HD Cassette MTP/MPO to LC	6	12	24
Patch Cord Type	MPO/MTP-LC/SC Patch cord		

### HD LGX Cassette

- The HD LGX cassette has capability of housing 24 fibers
- Fibers cross connected inside the cassette (AB/BA)
- Fibers parallel connected inside the cassette(AB/AB)
- MPO trunk lines connecting port fixed on the back of cassette
- Ultra Light Weight Design (PC/ABS Material)
- Clear Port ID
- Optimized Cable Management
- Compliance with RoHS/REACH and UL94-V0
- DME Prolink HD LGX cassette can be assembled with different types of Fiber optic adapters such as LC quad, LC duplex, SC duplex, SC single, MPO/MTP to meet deployment requirements of customers. The 24 cores in the front panel and 3 main pre-connection ports in the back of the module can be matched with 1 pc of 24C, or 2 pcs of 12C MPO/MTO-LC patch cord, or 3 pcs of 1\*8 PLC for FTTx applications.

Size	295*196.2*12.5mm
Weight (with Cassette)	0.2 kg
Capacity	24F (LC) /12F (SC)
Operating Temperature	-25°C to +70°C
Patch Cord Type	MPO/MTP-LC or MPO/MPT-SC



### Features of MPO Trunk Cable

- Made using High quality MTP connector / MPO Premium connector
- Available in OS2, OM3, OM4
- 0.35dB Low loss connector
- Factory Terminated and tested.
- Allows easy migration from 10GbE to 40 GbE or 100GbE
- Pulling Eye Kit are provided as an option to protect the fiber ends during installation.
- Standards Compliance: TIA/EIA-568-C.3, Telcordia GR-326-CORE, IEC 61754-7, TIA 605-4 (FOCIS 5) , YD/T1272.5, CE (EN 50575 CPR)
- RoHS Compliant
- 25 Years System Warranty



### Technical Specification

<b>Fiber Count</b>	8 -144 Fibers
<b>Fiber Mode</b>	Single mode: OS2 9/125µm Multimode: OM4 50/125µm, OM3 50/125µm
<b>Connector Type</b>	MTP Female, Male; MPO Female, Male
<b>Polarity</b>	Type A, Type B, Type C
<b>Cable Jacket Ratings</b>	Plenum (OFNP) Low Smoke Zero Halogen (LSZH) Riser (PVC)

### Color Codes

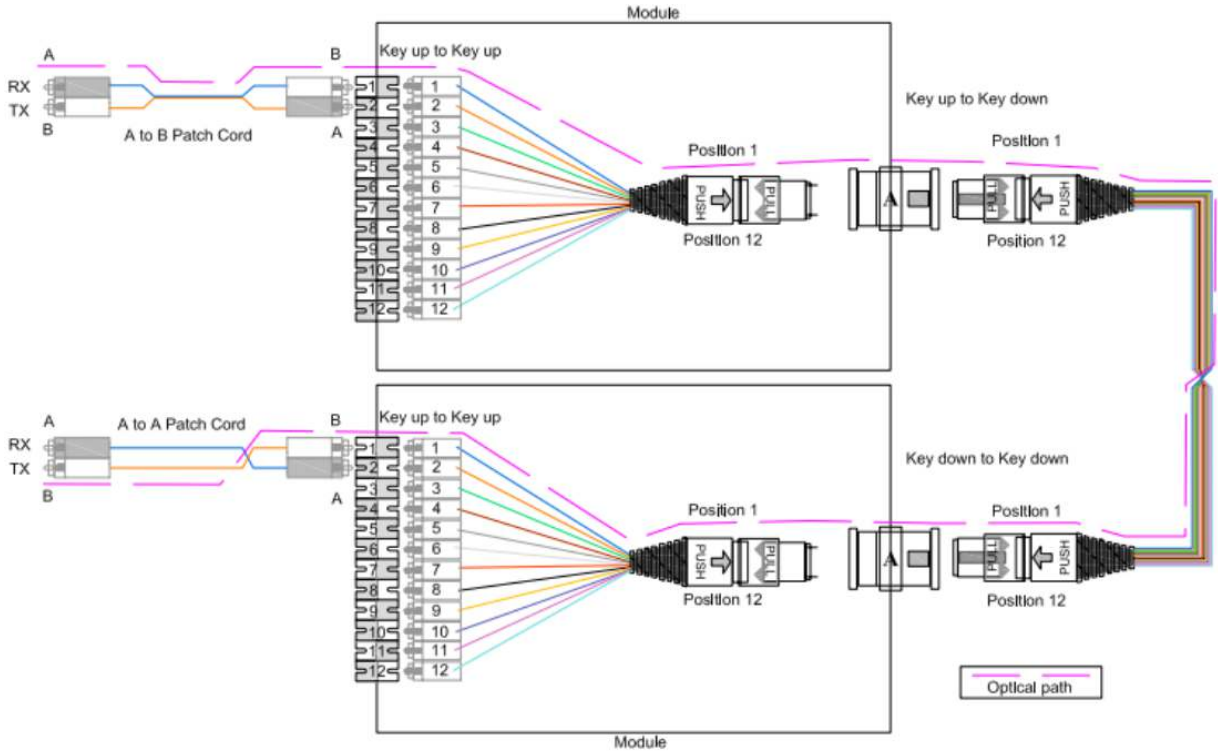
Trunk Cable	MTP	MPO
<b>Cable Jackets</b>	OS2: Yellow OM4: Magenta OM3: Aqua	OS2: Yellow OM4: Magenta OM3: Aqua
<b>Connectors</b>	OS2: Green OM4/OM3: Aqua	OS2: Green OM4/OM3: Aqua
<b>Boots</b>	8 Fibers: Grey 12 Fibers: Black 24 Fibers: Red	8/12/24 Fibers: Black



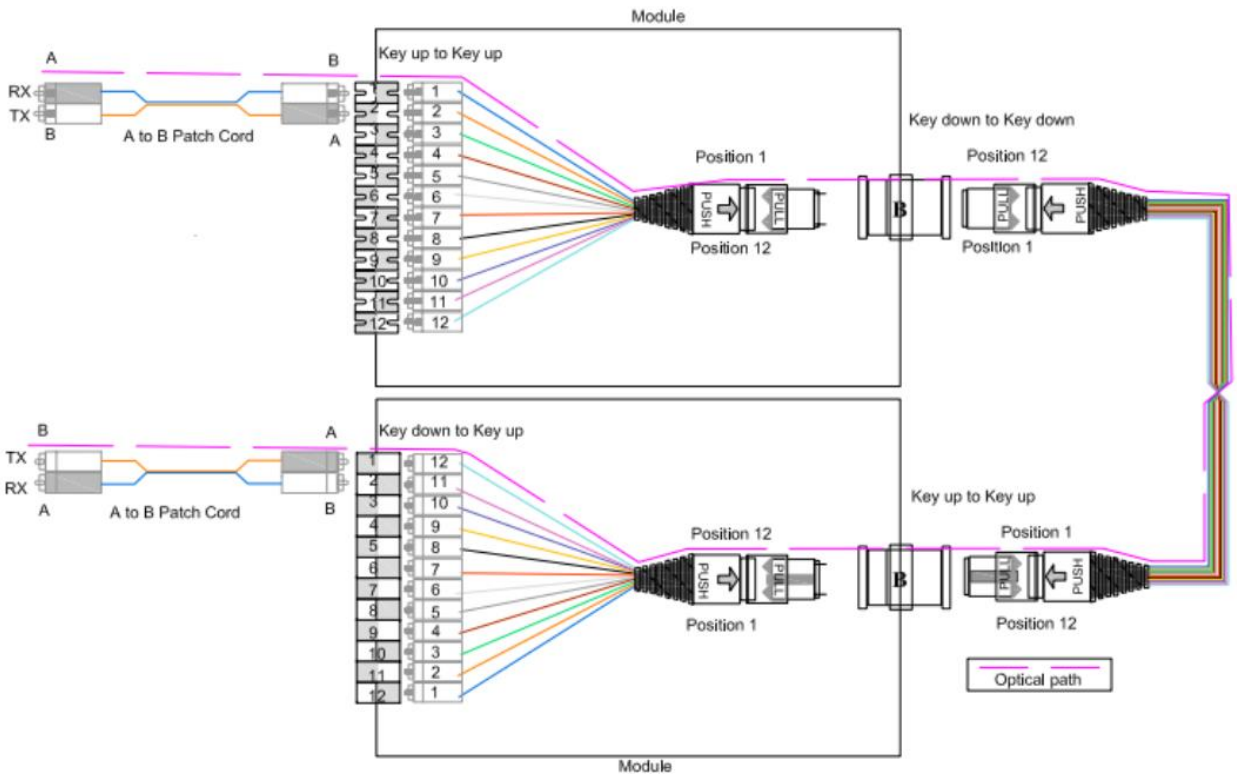
### Physical Properties

<b>Cable Diameter</b>	3.0mm
<b>Breakout Length</b>	0.5/0.3m
<b>Minimum Bend Radius</b>	Single Mode: 10.0mm, Multimode: 7.5mm
<b>Operating Temperature</b>	-10°C to +70°C
<b>Storage Temperature</b>	-40°C to +85°C

**Connectivity Method A**

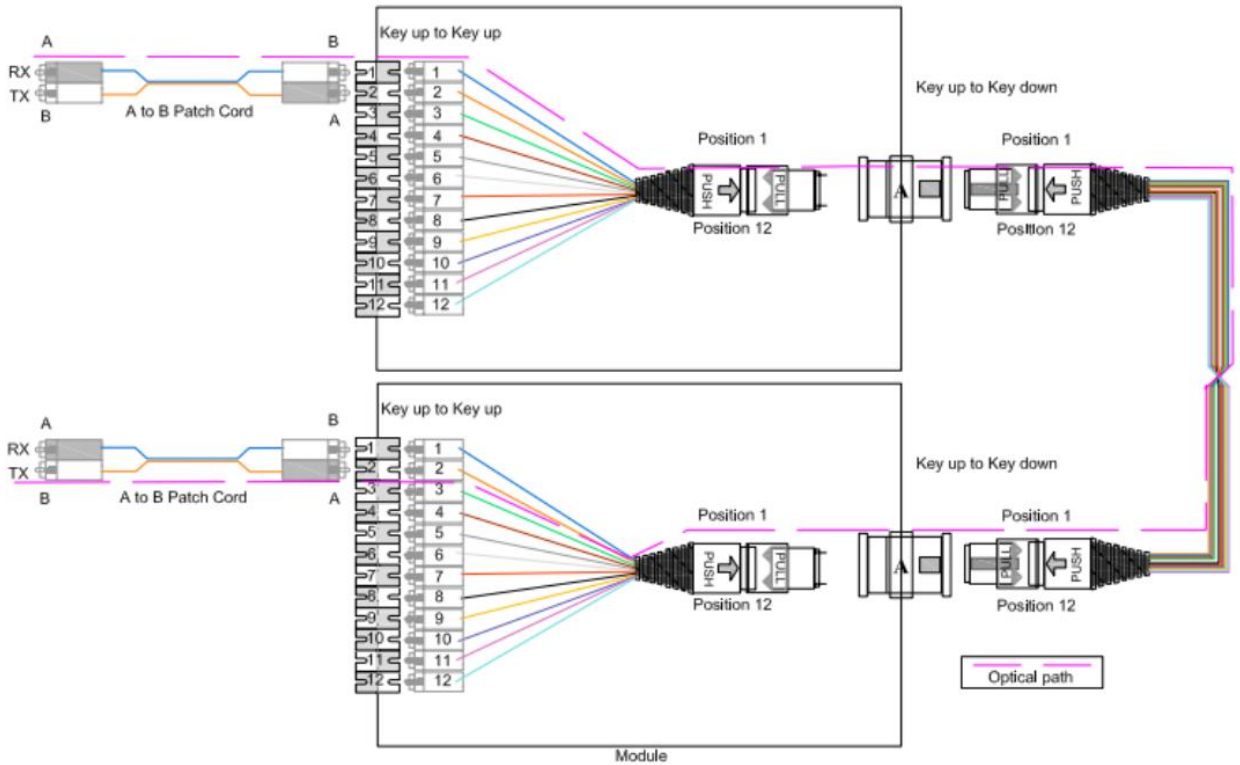


**Connectivity Method B**





**Connectivity Method C**



**Optical Performance**

<b>Attenuation (dB/km)</b>	Single Mode: $\leq 0.32$ at 1310nm, $\leq 0.18$ at 1550nm Multimode: $\leq 2.3$ at 850nm, $\leq 0.6$ at 1300nm
<b>Insertion Loss (dB)</b>	Single Mode: $\leq 0.35$ , Multimode: $\leq 0.35$
<b>Return Loss (dB)</b>	Single Mode: UPC Polish: $\geq 50$ , APC Polish: $\geq 60$ Multimode: $\geq 20$
<b>Wavelength (nm)</b>	Single Mode: 1310/1550, Multimode: 850/1300
<b>Transmission Distance</b>	OM4: 150m at 40/100G, 400m at 10G OM3: 100m at 40/100G, 300m at 10G



**Part Number**

D191-HD191EM144	DME 19" 1U HD Fiber Enclosure (Material: Aluminum), Empty (Capacity – 144F (LC) /72F (SC) without Modules/Cassettes, without adaptors
D191-HD192EM288	DME 19" 2U HD Fiber Enclosure (Material: Aluminum), Empty (Capacity – 288F (LC) /144F (SC) without Modules/Cassettes, without adaptors
D191-HD194EM576	DME 19" 4U HD Fiber Enclosure (Material: Aluminum), Empty (Capacity – 576F (LC) /288F (SC) without Modules/Cassettes, without adaptors

**HD LGX Cassettes (Single Mode G.657A1)**

D192-HD124MPOALCP7A1	DME HD LGX Cassette 1 x MPO/APC 24(F)- LC/PC 24(F), G.657A1 Includes: 1 No. MPO/APC-LC/PC, 24F MPO Male to LC, SM G657A1 LSZH 0.75M, 1No. MPO Adaptor, 12Nos. LC Duplex Adaptors with inner shutter
D192-HD212MPOALCP7A1	DME HD LGX Cassette 2 x MPO/APC 12(F)- LC/PC 24(F), G.657A1 Includes: 2 Nos. MPO/APC-LC/PC, 12F MPO Male to LC, SM G657A1 LSZH 0.75M, 2 Nos. MPO Adaptor, 12Pcs LC Duplex Adaptors with inner shutter
D192-HD38MPOALCP7A1	DME HD LGX Cassette 3 x MPO/APC 8(F)- LC/PC 24(F), G.657A1 Includes: 3 Nos. MPO/APC-LC/PC, 8F MPO Male to LC, SM G657A1 LSZH 0.75M, 3 Nos. MPO Adaptor, 12Pcs LC Duplex Adaptors with inner shutter

**Multimode OM4**

D192-HD124MPOPLCP3	DME HD LGX Cassette 1 x MPO/PC 24(F)- LC/PC 24(F), OM4 Includes: 1 No. MPO/PC-LC/PC, 24F MPO Male to LC, MM OM4 LSZH 0.75M, 1No. MPO Adaptor, 12Nos. LC Duplex Adaptors with inner shutter
D192-HD212MPOPLCP3	DME HD LGX Cassette 2 x MPO/PC 12(F)- LC/PC 24(F), OM4 Includes: 2 Nos. MPO/PC-LC/PC, 12F MPO Male to LC, MM OM4 LSZH 0.75M, 2Nos. MPO Adaptor, 12Nos. LC Duplex Adaptors with inner shutter
D192-HD38MPOPLCP3	DME HD LGX Cassette 3 x MPO/PC 8(F)- LC/PC 24(F), OM4 Includes: 3 Nos. MPO/PC-LC/PC, 8F MPO Male to LC, MM OM4 LSZH 0.75M, 3Nos. MPO Adaptor, 12Nos. LC Duplex Adaptors with inner shutter

**Multimode OM3**

D192-HD124MPOPLCP2	DME HD LGX Cassette 1 x MPO/PC 24(F)- LC/PC 24(F), OM3 Includes: 1 No. MPO/PC-LC/PC, 24F MPO Male to LC, MM OM3 LSZH 0.75M, 1No. MPO Adaptor, 12Nos. LC Duplex Adaptors with inner shutter
D192-HD212MPOPLCP2	DME HD LGX Cassette 2 x MPO/PC 12(F)- LC/PC 24(F), OM3 Includes: 2 Nos. MPO/PC-LC/PC, 12F MPO Male to LC, MM OM3 LSZH 0.75M, 2Nos. MPO Adaptor, 12Nos. LC Duplex Adaptors with inner shutter
D192-HD38MPOPLCP2	DME HD LGX Cassette 3 x MPO/PC 8(F)- LC/PC 24(F), OM3 Includes: 3 Nos. MPO/PC-LC/PC, 8F MPO Male to LC, MM OM3 LSZH 0.75M, 3Nos. MPO Adaptor, 12Nos. LC Duplex Adaptors with inner shutter

**Part Number (Examples)**

Trunk Cables Multimode OM4	
D194-MTPD12315yz	DME MTP(M) -MTP(M) 12 Fiber Trunk Cable, Multimode OM4 50/125um LSZH, 3.0mm, 15 meter, Aqua
D194-MTPD12350yz	DME MTP(M) -MTP(M) 12 Fiber Trunk Cable, Multimode OM4 50/125um LSZH, 3.0mm, 50 meter, Aqua
D194-MTPD12360yz	DME MTP(M) -MTP(M) 12 Fiber Trunk Cable, Multimode OM4 50/125um LSZH, 3.0mm, 60 meter, Aqua

**Important Note:**

“y” is Customization factor and “z” is Polarity. Please contact DME Prolink Technical team for exact Trunk cable requirements.



**DME PROLINK** Technical Team

Tel : +9714 811 8000

Email : [info@dmeprolink.com](mailto:info@dmeprolink.com)