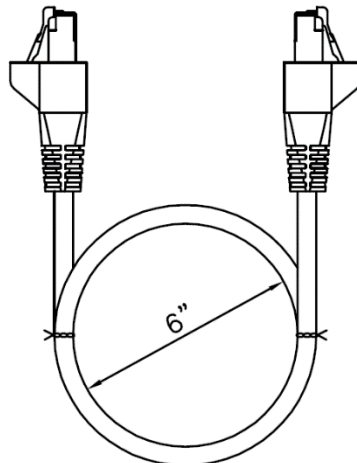


Description

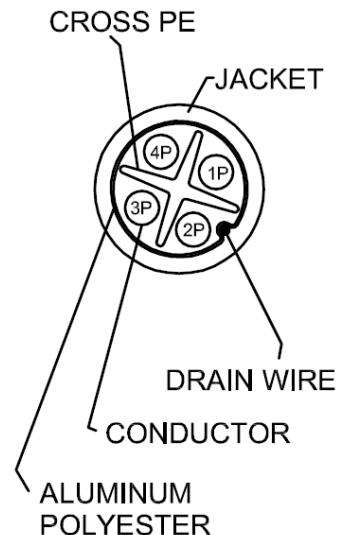
DME PROLINK's Category 6A Copper Patch Leads are designed for optimal performance and manageability. Our Patch Leads are designed to offer a slim profile specifically for today's high-density environments. Snag-less plug design makes these Patch Leads an excellent choice in environments where moves, adds and changes (MAC's) are frequent.

Features & Benefits

- Meets all requirements specified in ANSI/TIA-568.2-D
- Low Smoke Zero Halogen
- Stranded cores for enhanced flexibility
- Performance exceeding Category 6A specifications of 500MHz
- Snag-less Plug Design
- Available in various lengths and colors
- Cable Termination as per T568B wire scheme on both ends.
- Fully interoperable and backwards compatible
- UL Listed and ETL Verified
- 25 Years System Warranty



CAT.6A
PATCH CABLE



TRANSMISSION PERFORMANCE

Meet CAT6A Channel Requirements Specified in ANSI/TIA-568.2-D

ELECTRICAL

Electrical Insulation Resistance	500M Ω min. @ 100 V d.c
Dielectric Withstanding Voltage	1000V DC or AC Peak contact to contact; 1500V DC or AC Peak contact to test panel

MECHANICAL

Insertion / Extraction Life	750 Cycles Minimum
Tensile Strength	\geq 20N per Wire

PHYSICAL

Plug

Assembly	Compatible with FCC Part 68 Subpart F
Housing	UL Listed 94V-0 Flame-Retardant PC (Polycarbonate)
IDC Blades	Phosphor Bronze. Contact area of blades is plated with 50 micro- inches of hard gold over 100 micro-inches of Nickel
Shield	Brass alloy plated with 100 micro inch of Nickel

Cordage

Jacket Dimension	Diameter <0.25 inches / OD. 6.0 \pm 0.2mm
Construction	CAT6A FTP 26 AWG 7 stranded 4-Pair Copper wire conductor. High Density Polyethylene Insulation Material. Low Smoke Zero Halogen Jacket.

Part Number

D0233-SH1LSGY	Copper Patch Lead, CAT6A, Shielded, 1m, LSZH, Grey
D0233-SH2LSGY	Copper Patch Lead, CAT6A, Shielded, 2m, LSZH, Grey
D0233-SH3LSGY	Copper Patch Lead, CAT6A, Shielded, 3m, LSZH, Grey
D0233-SH5LSGY	Copper Patch Lead, CAT6A, Shielded, 5m, LSZH, Grey