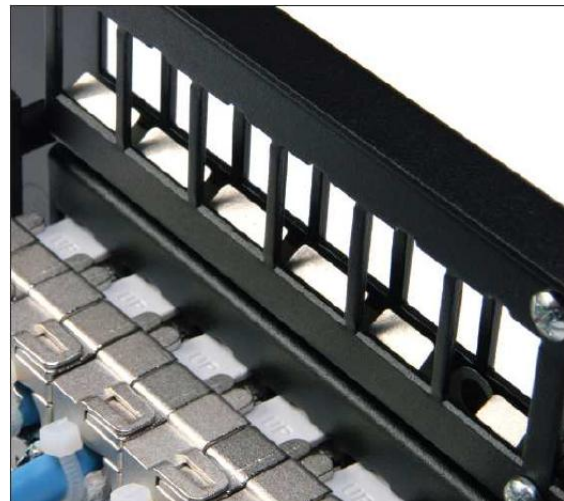


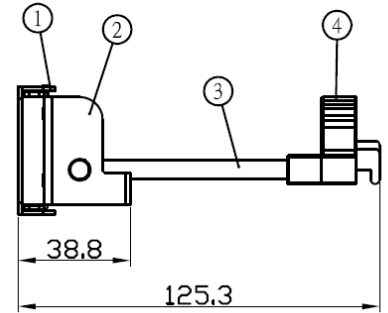
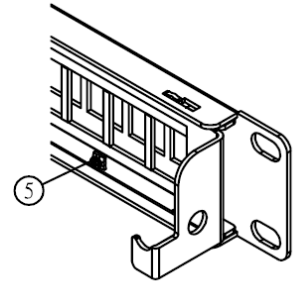
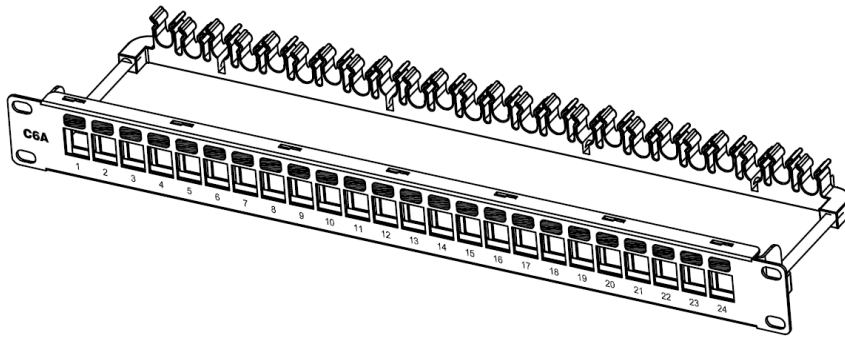
Description

DME PROLINK's modular Category 6A Snap-in Fit patch panels offer high performance and a range of installation options. The modular Category 6A panel utilizes the high performing DME PROLINK Snap-in keystone jacks. This patch panel feature user-friendly termination, labeling, and cable management, plus they can be mounted directly to an EIA standard 19 inch relay rack or cabinet. Rear cable manager properly guides cables to point of termination.

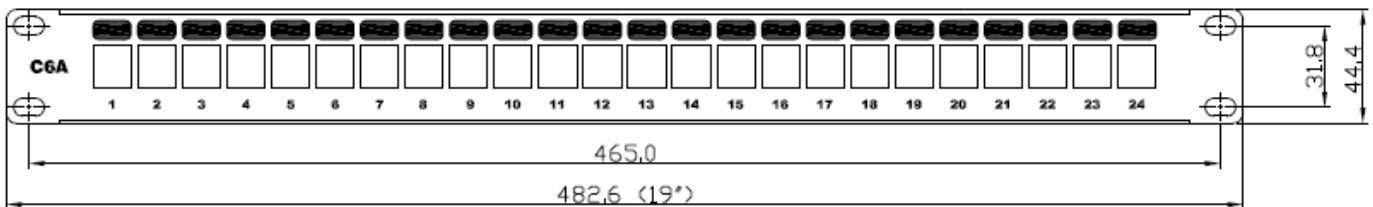
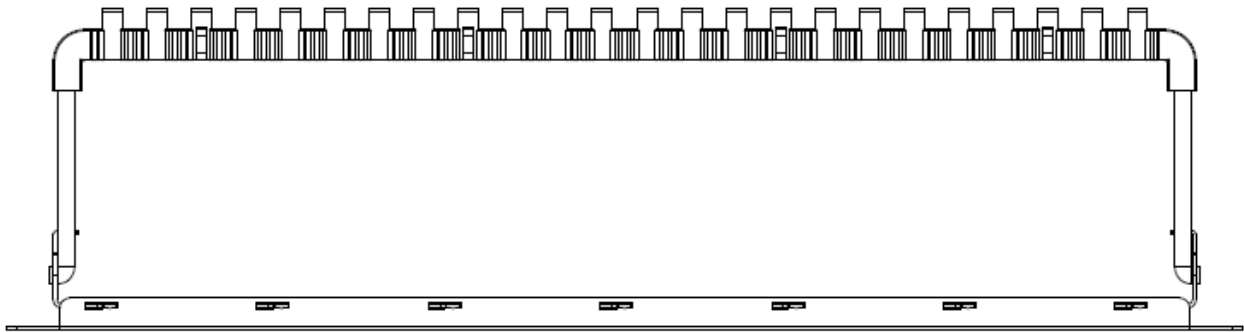
Features & Benefits

- Meets all requirements specified in ANSI/TIA-568.2-D Category 6A connecting hardware requirements
- 19" Rack Mountable; 1U Rack Space
- Modular panels offer complete flexibility and high port density
- Expansive cable management and clear labeling
- Maximum throughput, reliability and performance in your network
- Flexibility to suit installation requirements
- Removable Rear Cable Manager
- UL Listed
- 25 Years System Warranty





ITEM	DESCRIPTION	MATERIAL	Q'TY	FINISH
①	Front Panel Plate	Spcc(1.5t)	1	Black Coating
②	Rear Panel Plate	Spcc(1.5t)	1	Nickel Plating
③	Wire Manager Bar	SS41	1	Nickel Plating
④	Wire Manager Holder	ABS UL94V-0	1	
⑤	M3x8 SCREW		1	



Part Number

D0443-241SHFULBK

Copper Patch Panel, CAT6A, 24 Port, 1RU, Shielded, Flush, Unloaded, Black