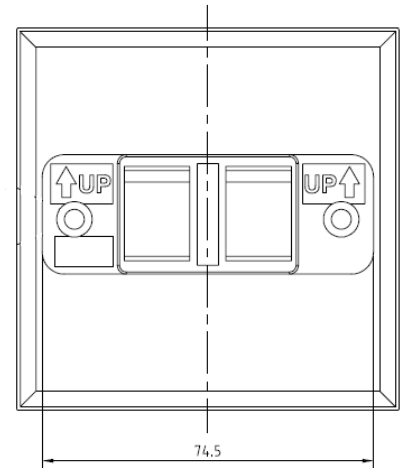


Description

DME PROLINK offers the convenience and flexibility of Snap-in connectivity for voice and data applications for British Standard electrical boxes. Snap-in Faceplates are compatible with all DME PROLINK connectors: choose Unshielded, shielded, CAT5e, CAT6, CAT6A connectors, A/V, coaxial or fiber connectors. These type of faceplate comes in 1-port and 2-port design. Connectors should be ordered separately.

Features & Benefits

- Dimension: 86mm x 86mm
- Non-shuttered Apertures
- Compliant with BS4662 and BS5733
- Available in Single and Dual Port designs
- Material: Stainless Steel / ABS
- 25 Years System Warranty



Part Number

D6813-1SS	Stainless Steel Snap-In Single Port Face Plate
D6813-2SS	Stainless Steel Snap-In Single Port Face Plate