



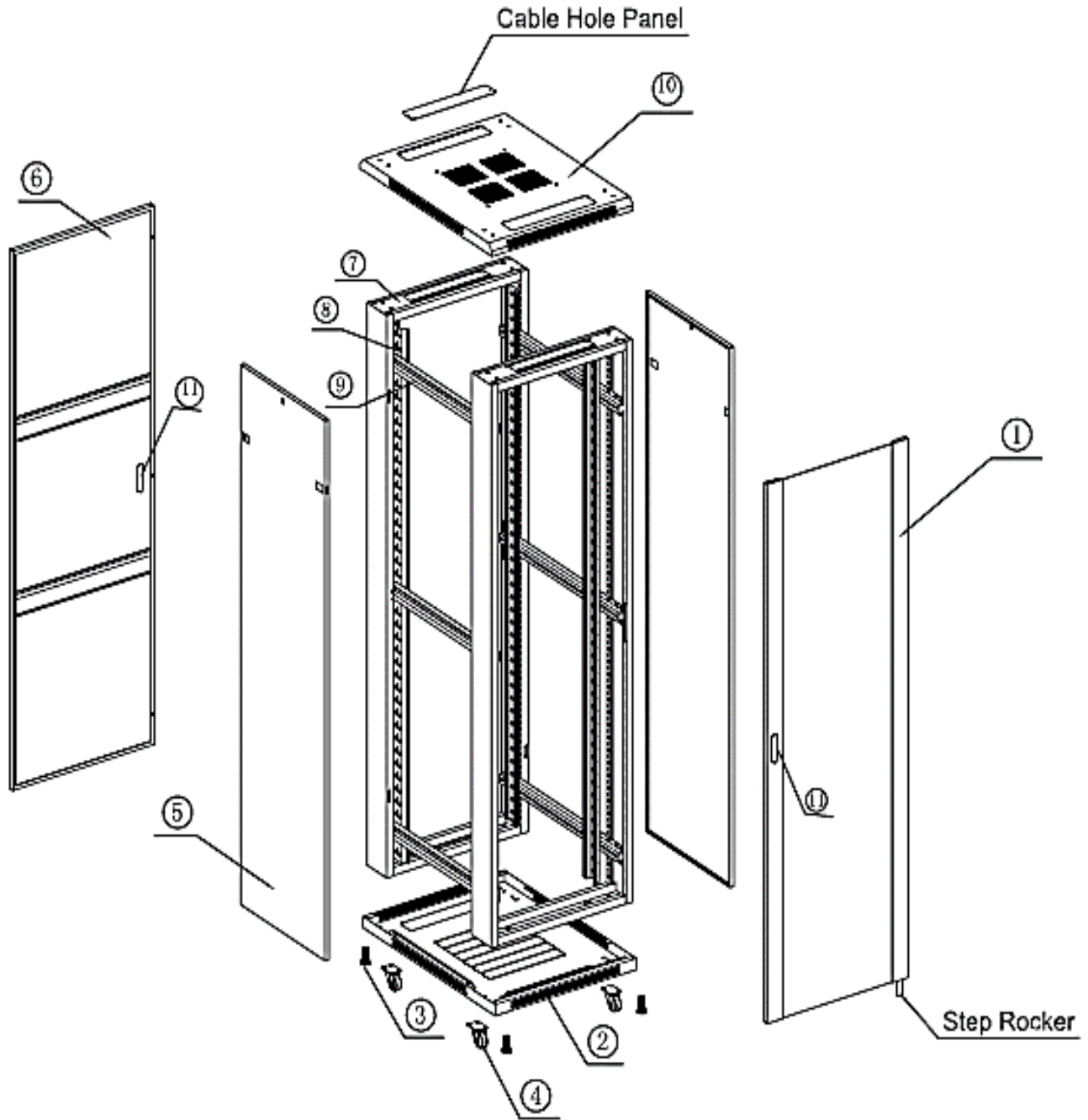
Description

DME PROLINK's has wide range of Floor Mount cabinets which are available in any number of configurations to suit any environment or application.

Features & Benefits

- Static loading capability of up to 1000 kg.
- Removable Side panels and Doors.
- Front Glass Door ; Rear Solid Metal Door
- Top or bottom cable entry
- Comes with Shelves
- Fan Tray with 4 Fans / 2 Fans
- Standard 6-Way Power Distribution Unit (PDU) comes with Cabinets. (PDUs can be customized)
- Key Lock arrangement for added security
- Castors wheels / Leveling Feet
- Height (H): 15U – 48U
- Width (W): 600mm, 800mm, 1000mm
- Depth (D): 600mm, 800mm, 1000mm
- 25 Years System Warranty





- | | | |
|---------------------|------------------------|--------------------------|
| ① Front Door | ② Base | ③ Adjustable Feet |
| ④ Castors | ⑤ Side Door | ⑥ Rear Door |
| ⑦ Frame | ⑧ Mounting Rail | ⑨ Mounting angle |
| ⑩ Top Cover | ⑪ Lock | |

No.	Specification	Qty.	Unit	Material	Surface Finish	Remark
1	Top Cover	1	PCS	SPCC Cold rolled steel 1.0 or 1.2	Powder coated	600mm depth for 1.0mm, above is 1.2mm
2	Bottom panel	1	PCS	SPCC Cold rolled steel 1.0 or 1.2	Powder coated	600mm depth for 1.0mm, above is 1.2mm
3	Mounting Profile	4	PCS	SPCC Cold rolled steel 1.5 or 1.8	Powder coated	
4	Mounting angle	6	PCS	SPCC Cold rolled steel 1.5	Powder coated	4pcs of lower 32U
5	Toughened glass or mesh front door	1	PCS	SPCC 1.5/Toughened glass 5.0	Powder coated	High Density vented door/ sheet steel door/ double section high density vented door optional
6	Frame	2	PCS	SPCC Cold rolled steel 1.2	Powder coated	/
7	Fan unit	1	PCS	SPCC Cold rolled steel 1.0	Powder coated	/
8	Fan	2	PCS	120*120*38mm	/	4pcs for over 600 width and 600 depth
9	Side panel	2	PCS	SPCC Cold rolled steel 1.0 or 1.2	Powder coated	600mm or 800mm depth for 1.0mm, above is 1.2mm
10	Rear door	1	PCS	SPCC Cold rolled steel 1.0 or 1.2	Powder coated	600mm or 800mm width for 1.0mm, above is 1.2mm
11	Spring lock	1	PCS	/	/	with 2 keys
12	Small round lock	1	PCS	/	Nickel coated	with 2 keys
13	M6 Screw and Square Nuts	20	SET	steel	Zinc coated	40sets for over 32U
14	Adjustable feet	4	PCS	steel	Zinc coated	/
15	Wheels	4	PCS	/	/	/

