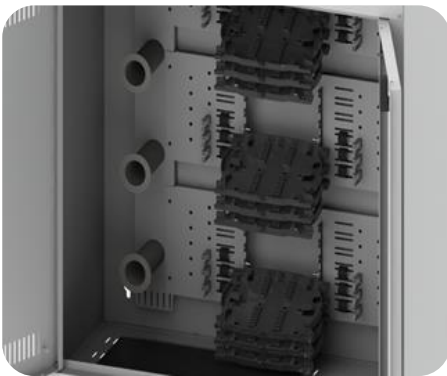


Description

DME PROLINK's Mini ODF is an indoor distribution frame for fiber counts suitable for 216 Fibers. This closure are used on applications where cables have to be spliced directly. The solution provides an optical channel that is guaranteed to be compliant with the ISO 11801 International Standard for Structured Cabling. DME PROLINK quality personals ensures product reliability through rigorous qualification testing to assure cable performance and durability in adverse field environments. Excellent quality control is achieved through intense in-house quality check and stringent audit acceptance by ISO 9001.

Features & Benefits

- Wall mount Type – Perforated Double Door
- Comes with Lock
- The body is made of cold-rolled steel
- Cable Fixing Devices installed within Mini ODF
- Comes Brush Panels on Top and Bottom to prevent dust entry and easy access for Drop cables
- Internal cable management
- Accommodates Splicing only
- Comes with 9 Nos. of 24-Fiber Splice Tray
- Compact structure

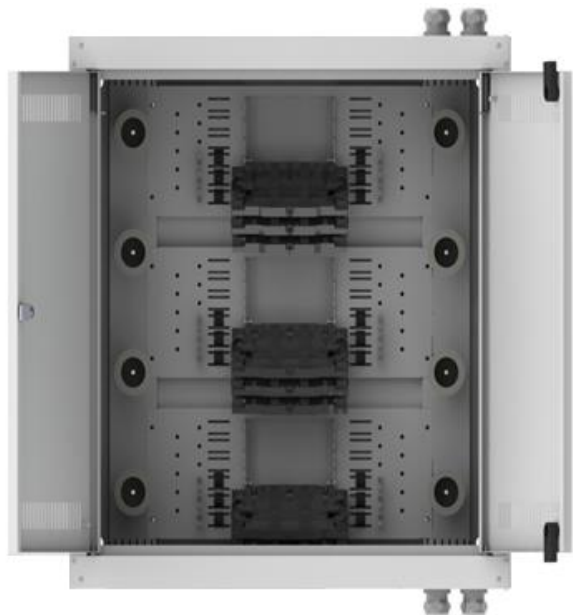


- Excellent Dust-proof property
- Compatible with most type of splitters and has enough room for retaining FO Optic Cables and loose Fiber cores.
- Capacity can be increased to Max. 288 splicing by adding 3 additional 24F Splice Trays (PNo. D16319-S24FT1)
- 25 Years System Warranty

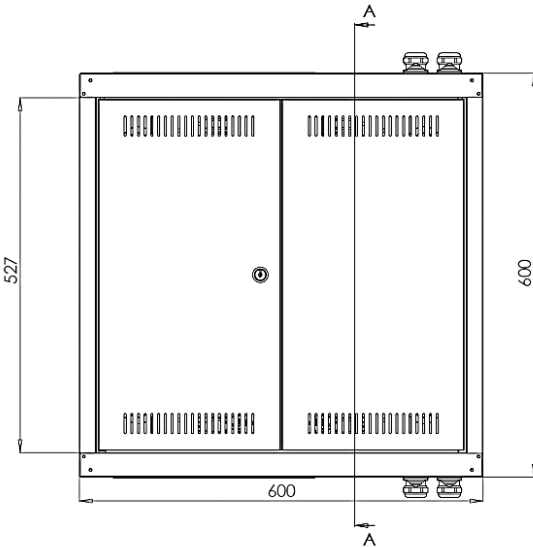


Technical Specification

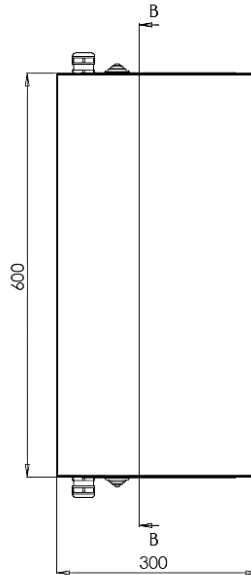
- Insulating resistance between the metal parts of the body and grounding fitting: $\geq 1 \times 10^3 \text{ M}\Omega/500\text{VDC}$.
- Product Dimension : 600mm (W) X 600mm (H) X 300mm (D)
- Working Temperature: Indoor Type : -40°C to +60°C



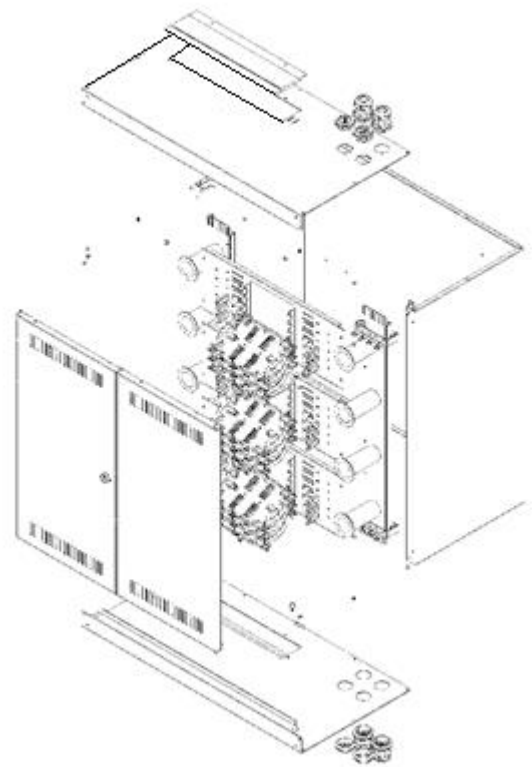
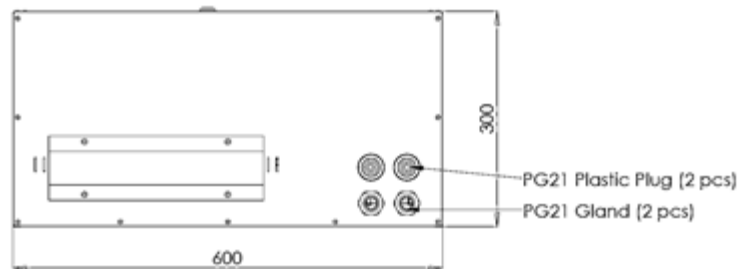
FRONT VIEW



SIDE VIEW



BOTTOM VIEW



Part Number

D14319-216SOD1T1YGY

Fiber Optic Mini ODF Splice Only, 216 Fiber (Splice Capacity), with 9 Nos. of 24 Fiber Splice Trays, 600mm High, 600mm Wide, 300mm Deep, Double Door, Type 2 Knockouts, with Lock, Grey (RAL 7035)

D16319- S24FT1

Fiber Optic Splice Cassette, Single Cores, 24 Fibers, Black (Type 1)