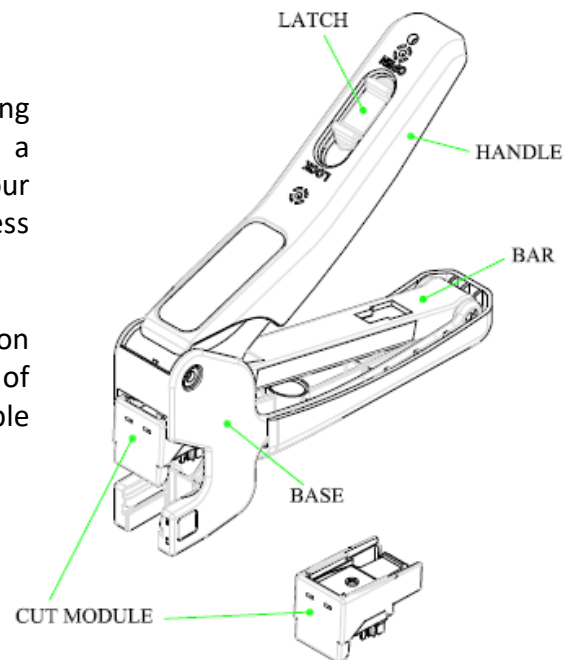




### Description

DME PROLINK's F-Tool is a unique device facilitating effortless, single action termination of all 4-Pairs onto a keystone jack. The F-Tool not only "punches-down" all four pairs simultaneously into the jack, it trims the excess conductor in the same action.

DME PROLINK's F-Tool drastically reduces the termination time and introduces a consistency across all terminations of an installation. Used for all DME PROLINK F-Tool Compatible Modular Jacks.



### Part Number

D711-FTOOL

F-Tool Copper Termination Tool for F-Tool Compliant Modular Jacks