



### Description

DME PROLINK's HD LGX Cassette is best fit solution for Data Centers where performance, scalability and flexibility are critical. HD LGX Cassette (MPO Solution) is compatible with DME PROLINK Pre-Terminated Trunk Cable, HD Fiber Enclosure, Adapters and Jumpers. All are custom configured. The advantage about this product is reduced installation time, increased density and guaranteed performance.

The solution provides an optical channel that is guaranteed to be compliant with ANSI/TIA-568.3-D Standard. DME PROLINK quality personals ensures product reliability through rigorous qualification testing to assure cable performance and durability in adverse field environments. Excellent quality control is achieved through intense in-house quality check and stringent audit acceptance by ISO 9001.

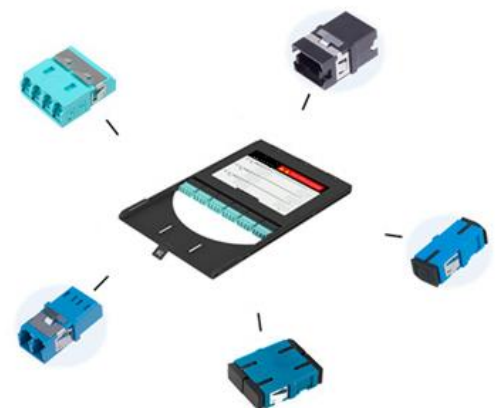
### HD LGX Cassette

- The HD LGX cassette has capability of housing 24 fibers
- Fibers cross connected inside the cassette (AB/BA)
- Fibers parallel connected inside the cassette(AB/AB)
- MPO trunk lines connecting port fixed on the back of cassette
- Ultra Light Weight Design (PC/ABS Material)
- Clear Port ID
- Optimized Cable Management
- Compliance with RoHS/REACH and UL94-V0
- DME Prolink HD LGX cassette can be assembled with different types of Fiber optic adapters such as LC quad, LC duplex, SC duplex, SC single, MPO/MTP to meet deployment requirements of customers. The 24 cores in the front panel and 3 main pre-connection ports in the back of the module can be matched with 1 pc of 24C, or 2 pcs of 12C MPO/MTO-LC patch cord, or 3 pcs of 1\*8 PLC for FTTx applications.

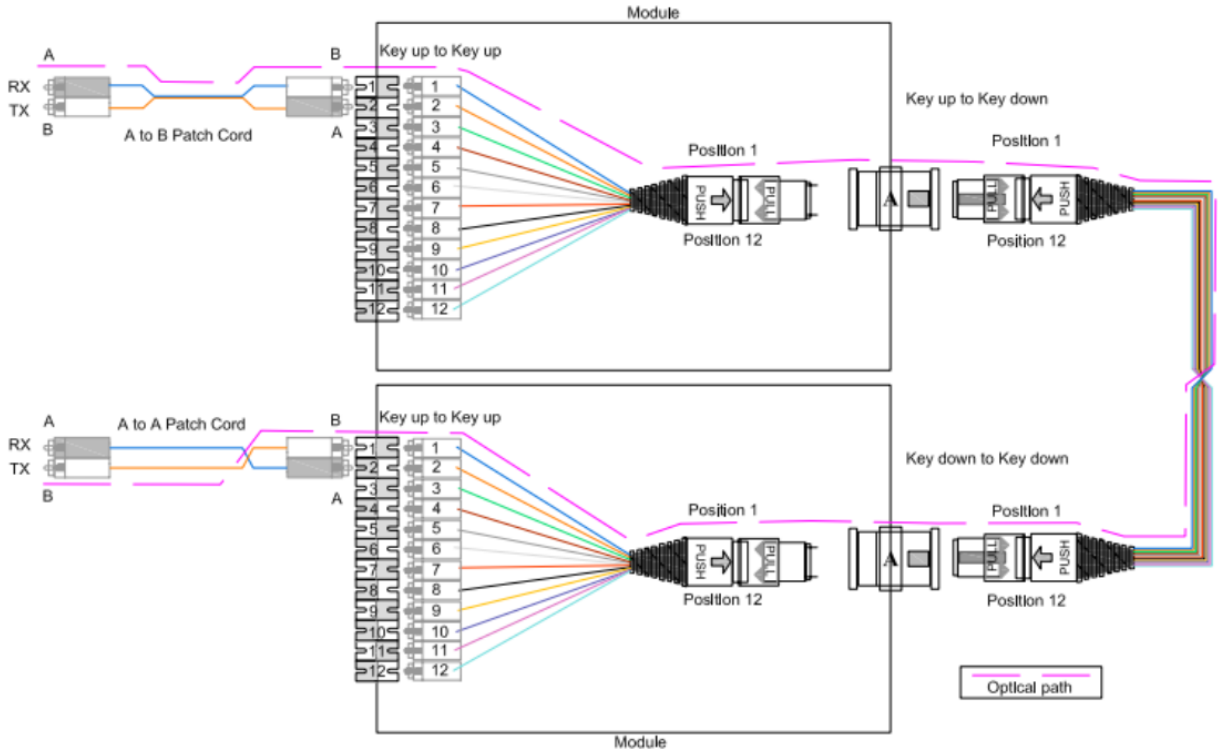


### Specification

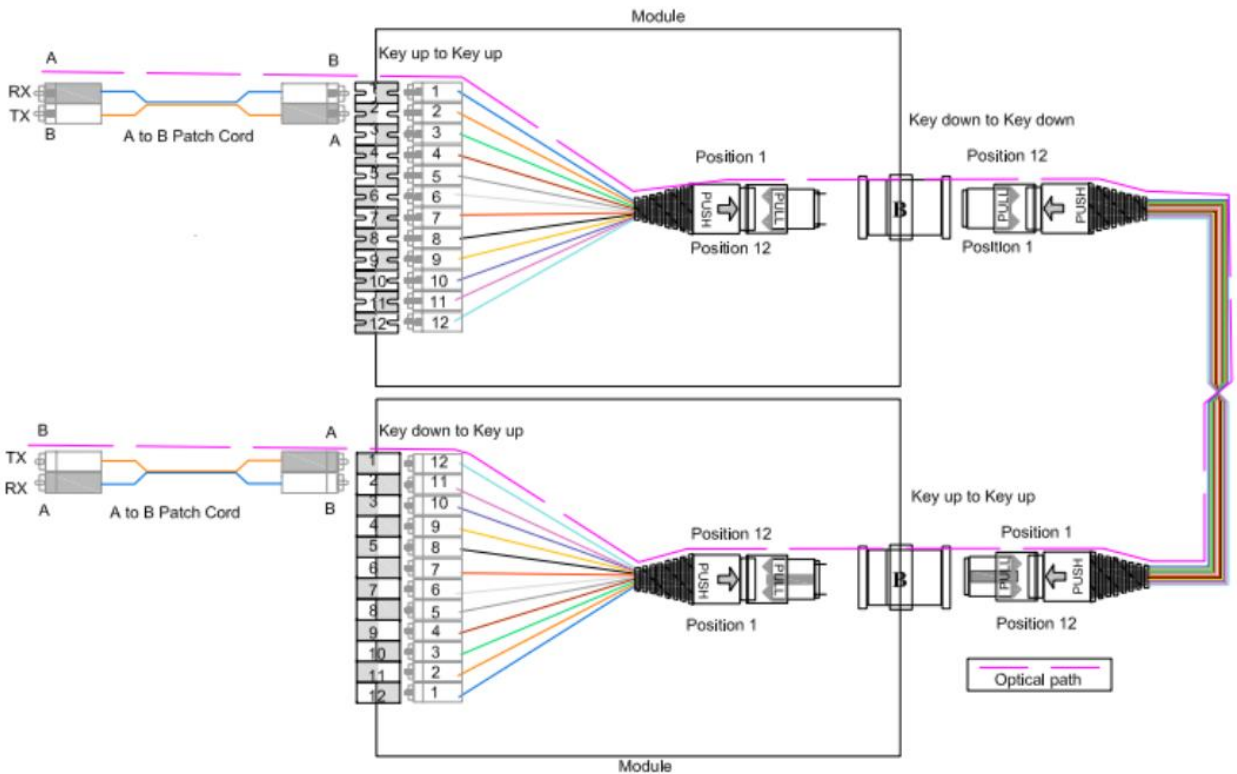
Size	295*196.2*12.5mm
Weight (with Cassette)	0.2 kg
Capacity	24F (LC) /12F (SC)
Operating Temperature	-25°C to +70°C
Patch Cord Type	MPO/MTP-LC or MPO/MTP-SC



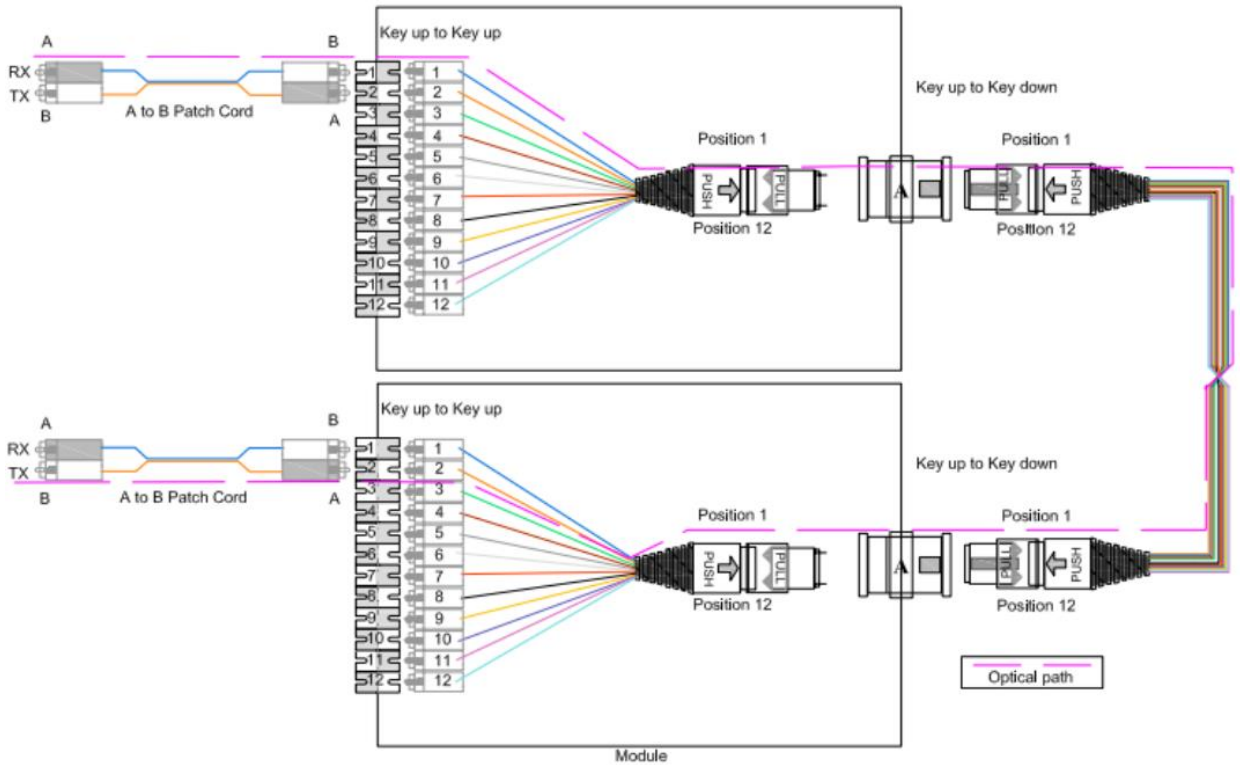
**Connectivity Method A**



**Connectivity Method B**



**Connectivity Method C**



**Optical Performance**

<b>Attenuation (dB/km)</b>	Single Mode: $\leq 0.32$ at 1310nm, $\leq 0.18$ at 1550nm Multimode: $\leq 2.3$ at 850nm, $\leq 0.6$ at 1300nm
<b>Insertion Loss (dB)</b>	Single Mode: $\leq 0.35$ , Multimode: $\leq 0.35$
<b>Return Loss (dB)</b>	Single Mode: UPC Polish: $\geq 50$ , APC Polish: $\geq 60$ Multimode: $\geq 20$
<b>Wavelength (nm)</b>	Single Mode: 1310/1550, Multimode: 850/1300
<b>Transmission Distance</b>	OM4: 150m at 40/100G, 400m at 10G OM3: 100m at 40/100G, 300m at 10G



**Part Number**

**HD LGX Cassettes (Single Mode G.657A1)**

<b>D192-HD124MPOALCP7A1</b>	<b>DME HD LGX Cassette 1 x MPO/APC 24(F)- LC/PC 24(F), G.657A1</b> Includes: 1 No. MPO/APC-LC/PC, 24F MPO Male to LC, SM G657A1 LSZH 0.75M, 1No. MPO Adaptor, 12Nos. LC Duplex Adaptors with inner shutter
<b>D192-HD212MPOALCP7A1</b>	<b>DME HD LGX Cassette 2 x MPO/APC 12(F)- LC/PC 24(F), G.657A1</b> Includes: 2 Nos. MPO/APC-LC/PC, 12F MPO Male to LC, SM G657A1 LSZH 0.75M, 2 Nos. MPO Adaptor, 12Pcs LC Duplex Adaptors with inner shutter
<b>D192-HD38MPOALCP7A1</b>	<b>DME HD LGX Cassette 3 x MPO/APC 8(F)- LC/PC 24(F), G.657A1</b> Includes: 3 Nos. MPO/APC-LC/PC, 8F MPO Male to LC, SM G657A1 LSZH 0.75M, 3 Nos. MPO Adaptor, 12Pcs LC Duplex Adaptors with inner shutter

**Multimode OM4**

<b>D192-HD124MPOPLCP3</b>	<b>DME HD LGX Cassette 1 x MPO/PC 24(F)- LC/PC 24(F), OM4</b> Includes: 1 No. MPO/PC-LC/PC, 24F MPO Male to LC, MM OM4 LSZH 0.75M, 1No. MPO Adaptor, 12Nos. LC Duplex Adaptors with inner shutter
<b>D192-HD212MPOPLCP3</b>	<b>DME HD LGX Cassette 2 x MPO/PC 12(F)- LC/PC 24(F), OM4</b> Includes: 2 Nos. MPO/PC-LC/PC, 12F MPO Male to LC, MM OM4 LSZH 0.75M, 2Nos. MPO Adaptor, 12Nos. LC Duplex Adaptors with inner shutter
<b>D192-HD38MPOPLCP3</b>	<b>DME HD LGX Cassette 3 x MPO/PC 8(F)- LC/PC 24(F), OM4</b> Includes: 3 Nos. MPO/PC-LC/PC, 8F MPO Male to LC, MM OM4 LSZH 0.75M, 3Nos. MPO Adaptor, 12Nos. LC Duplex Adaptors with inner shutter

**Multimode OM3**

<b>D192-HD124MPOPLCP2</b>	<b>DME HD LGX Cassette 1 x MPO/PC 24(F)- LC/PC 24(F), OM3</b> Includes: 1 No. MPO/PC-LC/PC, 24F MPO Male to LC, MM OM3 LSZH 0.75M, 1No. MPO Adaptor, 12Nos. LC Duplex Adaptors with inner shutter
<b>D192-HD212MPOPLCP2</b>	<b>DME HD LGX Cassette 2 x MPO/PC 12(F)- LC/PC 24(F), OM3</b> Includes: 2 Nos. MPO/PC-LC/PC, 12F MPO Male to LC, MM OM3 LSZH 0.75M, 2Nos. MPO Adaptor, 12Nos. LC Duplex Adaptors with inner shutter
<b>D192-HD38MPOPLCP2</b>	<b>DME HD LGX Cassette 3 x MPO/PC 8(F)- LC/PC 24(F), OM3</b> Includes: 3 Nos. MPO/PC-LC/PC, 8F MPO Male to LC, MM OM3 LSZH 0.75M, 3Nos. MPO Adaptor, 12Nos. LC Duplex Adaptors with inner shutter