



Description

DME PROLINK's Pre-terminated Fiber Trunk cables is best fit solution for Data Centers where performance, scalability and flexibility are critical. Pre-terminated Fiber Trunk cables is compatible with HD Fiber Enclosure, MPO Plug/Play Modules (Cassettes), Adapters and Jumpers. All are custom configured. The advantage about this product is reduced installation time, increased density and guaranteed performance.

The solution provides an optical channel that is guaranteed to be compliant with ANSI/TIA-568.3-D Standard. DME PROLINK quality personals ensures product reliability through rigorous qualification testing to assure cable performance and durability in adverse field environments. Excellent quality control is achieved through intense in-house quality check and stringent audit acceptance by ISO 9001.

Features of MPO Trunk Cable

- Made using High quality MTP connector / MPO Premium connector
- Available in OS2, OM3, OM4
- 0.35dB Low loss connector
- Factory Terminated and tested.
- Allows easy migration from 10GbE to 40 GbE or 100GbE
- Pulling Eye Kit are provided as an option to protect the fiber ends during installation.
- Standards Compliance: TIA/EIA-568-C.3, Telcordia GR-326-CORE, IEC 61754-7, TIA 605-4 (FOCIS 5) , YD/T1272.5, CE (EN 50575 CPR)
- RoHS Compliant
- 25 Years System Warranty

Technical Specification

Fiber Count	8 -144 Fibers
Fiber Mode	Single mode: OS2 9/125µm Multimode: OM4 50/125µm, OM3 50/125µm
Connector Type	MTP Female, Male; MPO Female, Male
Polarity	Type A, Type B, Type C
Cable Jacket Ratings	Plenum (OFNP) Low Smoke Zero Halogen (LSZH) Riser (PVC)



Color Codes

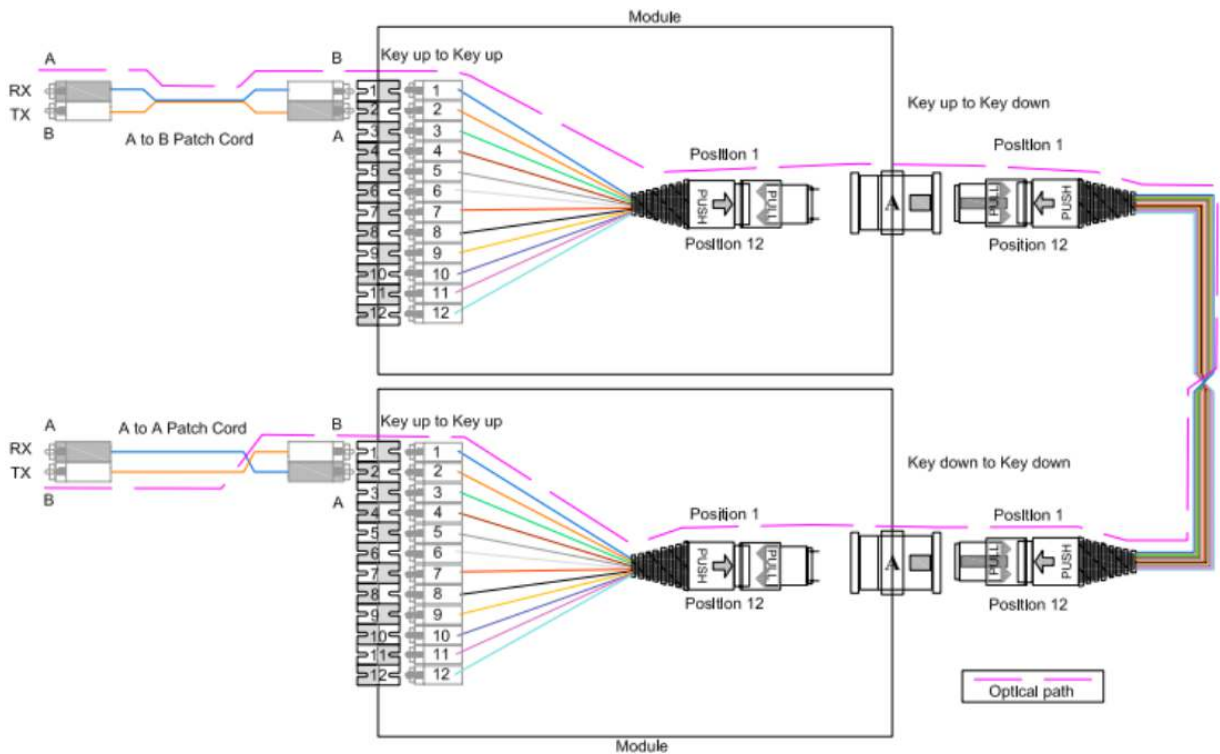
Trunk Cable	MTP	MPO
Cable Jackets	OS2: Yellow OM4: Magenta OM3: Aqua	OS2: Yellow OM4: Magenta OM3: Aqua
Connectors	OS2: Green OM4/OM3: Aqua	OS2: Green OM4/OM3: Aqua
Boots	8 Fibers: Grey 12 Fibers: Black 24 Fibers: Red	8/12/24 Fibers: Black



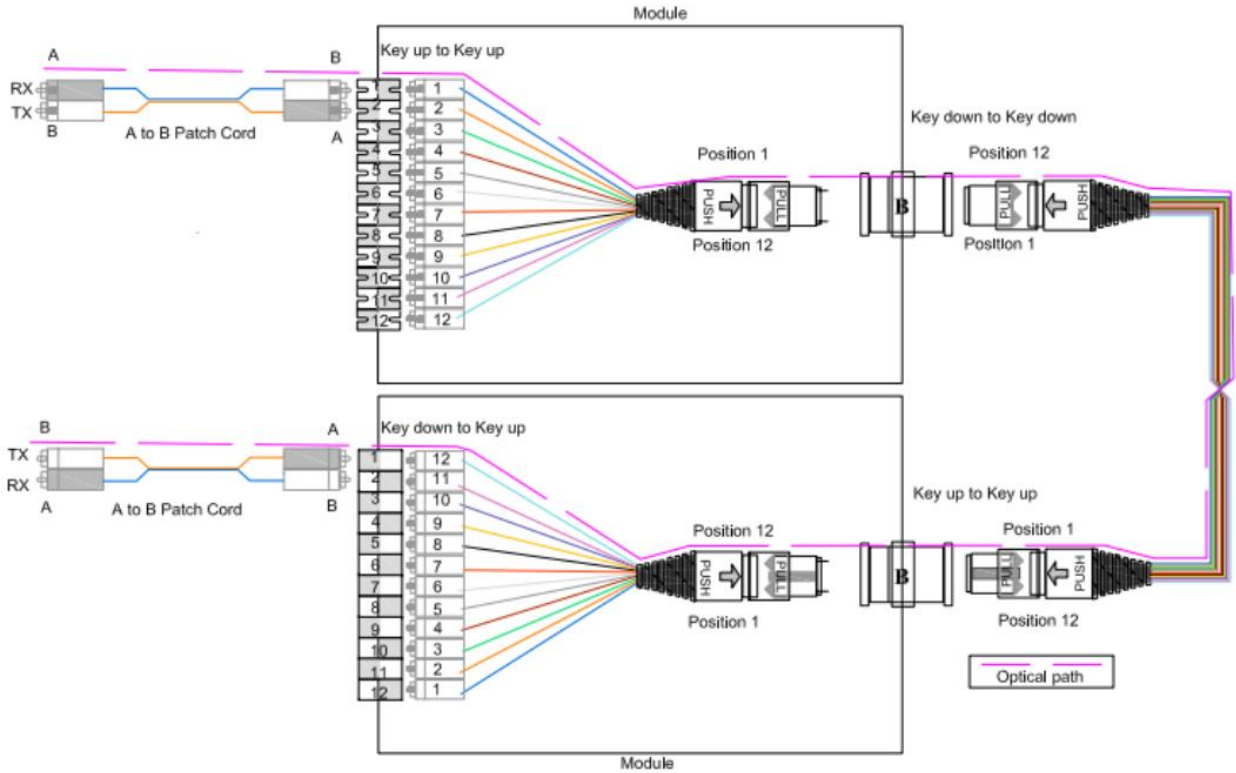
Physical Properties

Cable Diameter	3.0mm
Breakout Length	0.5/0.3m
Minimum Bend Radius	Single Mode: 10.0mm, Multimode: 7.5mm
Operating Temperature	-10°C to +70°C
Storage Temperature	-40°C to +85°C

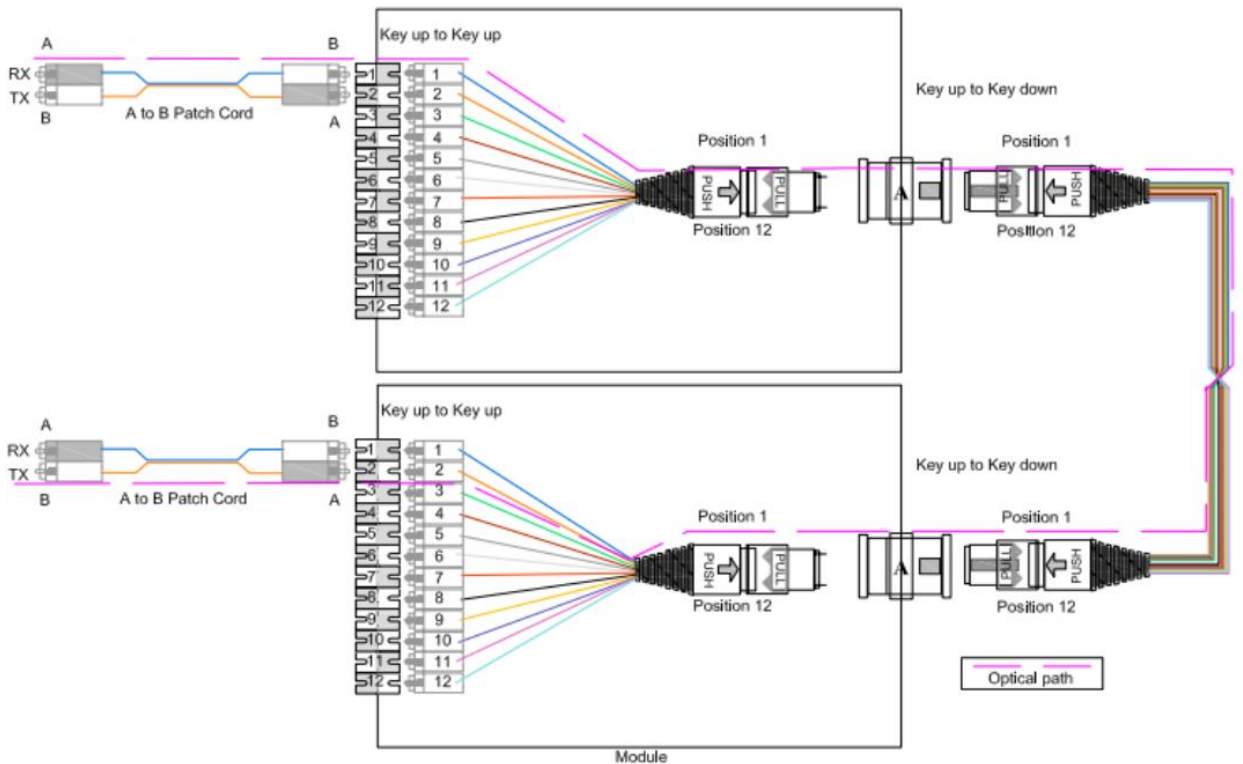
Connectivity Method A



Connectivity Method B



Connectivity Method C



Optical Performance

Attenuation (dB/km)	Single Mode: ≤ 0.32 at 1310nm, ≤ 0.18 at 1550nm Multimode: ≤ 2.3 at 850nm, ≤ 0.6 at 1300nm
Insertion Loss (dB)	Single Mode: ≤ 0.35 , Multimode: ≤ 0.35
Return Loss (dB)	Single Mode: UPC Polish: ≥ 50 , APC Polish: ≥ 60 Multimode: ≥ 20
Wavelength (nm)	Single Mode: 1310/1550, Multimode: 850/1300
Transmission Distance	OM4: 150m at 40/100G, 400m at 10G OM3: 100m at 40/100G, 300m at 10G

Part Number (Examples)

Trunk Cables Multimode OM4	
D194-MTPD12315yz	DME MTP(M) -MTP(M) 12 Fiber Trunk Cable, Multimode OM4 50/125um LSZH, 3.0mm, 15 meter, Aqua
D194-MTPD12350yz	DME MTP(M) -MTP(M) 12 Fiber Trunk Cable, Multimode OM4 50/125um LSZH, 3.0mm, 50 meter, Aqua
D194-MTPD12360yz	DME MTP(M) -MTP(M) 12 Fiber Trunk Cable, Multimode OM4 50/125um LSZH, 3.0mm, 60 meter, Aqua

Important Note:

“y” is Customization factor and “z” is Polarity. Please contact DME Prolink Technical team for exact Trunk cable requirements.



DME PROLINK Technical Team
 Tel : +9714 811 8000
 Email : info@dmeprolink.com