

Description

DME PROLINK's Category 6 Shielded Connectors meet all ANSI/TIA Category 6 and ISO/IEC 11801 Class E performance requirements with Frequency Characterization up to 250 MHz. The connector provides superior protection of critical data from EMI (electromagnetic interference) and RFI (radio frequency interference). This makes it part of a complete CAT 6 shielded system ideal for use in Healthcare, Manufacturing and other environments where EMI/RFI may be a concern.

DME PROLINK System components meet or exceed the requirements for channel and component-level performance for ANSI/TIA Category 6 and is cUL(us) Listed for safety.

Features & Benefits

- Complies to ANSI/TIA 568.2-D CAT 6, ISO/IEC 11801 Class E connecting hardware requirements
- Shielding provides EMI/RFI protection and data security Connector features robust die-cast housing.
- Faster Termination with use of F-Tool Jacks
- Connector incorporates a wide angle, hinged design for easy access & termination.
- Connector wiring is universal and has installation color codes for both T568A and T568B wires schemes.
- 25 Years System Warranty

Transmission Performance

Meets all requirements specified in connecting hardware requirements of:

- ❖ ANSI/TIA/EIA 568.2-D Category 6
- ❖ ISO/IEC 11801 Class E

Electrical

Electrical Insulation Resistance	500 MΩ min. @ 100V DC
Dielectric Withstanding Voltage	1000V DC or AC Peak Contact to Contact @ 60Hz for 1 minute, 1500V DC or AC Peak Contact to Panel @ 60Hz for 1 minute

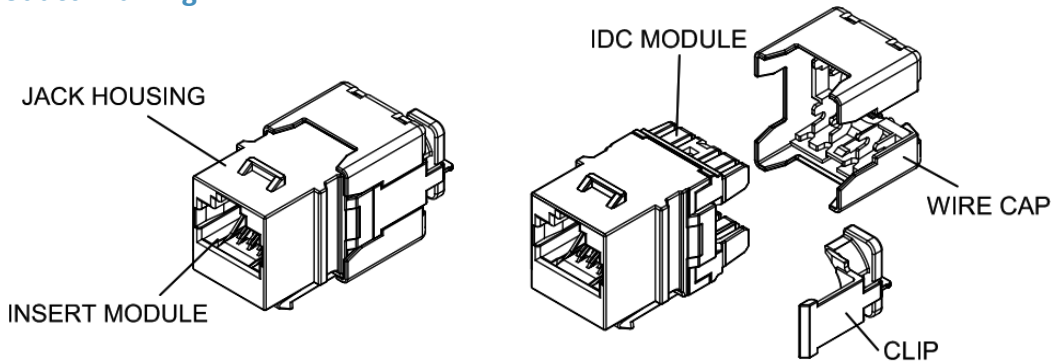
Mechanical

Insertion / Extraction Life	750 Cycles Minimum
IDC Wire Gauge	22~24 AWG

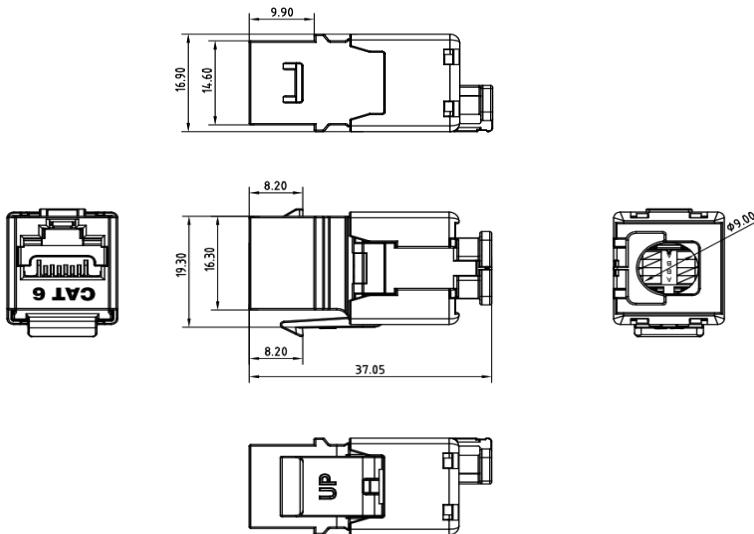
Physical

Housing	Zinc-Alloy Fully Shielded
Spring Wire	Phosphor Bronze Alloy Plated with 50 micro-inch of gold
IDC	Phosphor Bronze Alloy with 100 micro-inch 100% Sn Alloy

Product Drawing



Product Dimension



Components		
Item No.	Parts	QTY
1	Jack Housing	1
2	Insert Module	1
3	IDC Module	1
4	Wire Cap	1
5	Clip	1

DME PROLINK Keystone Jacks can be terminated with any standard punching tool, but it is recommended to use special **DME PROLINK F-Tool**.



Features & Benefits of DME PROLINK F-TOOL

- Up to 70% increase in termination speed
- Termination Force is reduced by 70%
- Sealing and cutting all the wires in one click
- F-Tool is compatible with CAT5e, CAT6 & CAT6A Keystone Jacks
- Capable of more than 1200 terminations
- The cutting blades and Jack support are replaceable
- Locking Handle design

Part Number

D0323-C6FF

Keystone Jack, Shielded, CAT6, Flush-mount, F-Tool Compatible