



Description

DME PROLINK's UPC Pedestal ideally used for splicing of Telephone Multi-pair cables. But, this UPC Pedestal can be also used for Coaxial, Fiber and other Energy applications. DME PROLINK quality personals ensures product reliability through rigorous qualification testing to assure cable performance and durability in adverse field environments. Excellent quality control is achieved through intense in-house quality check and stringent audit acceptance by ISO 9001.

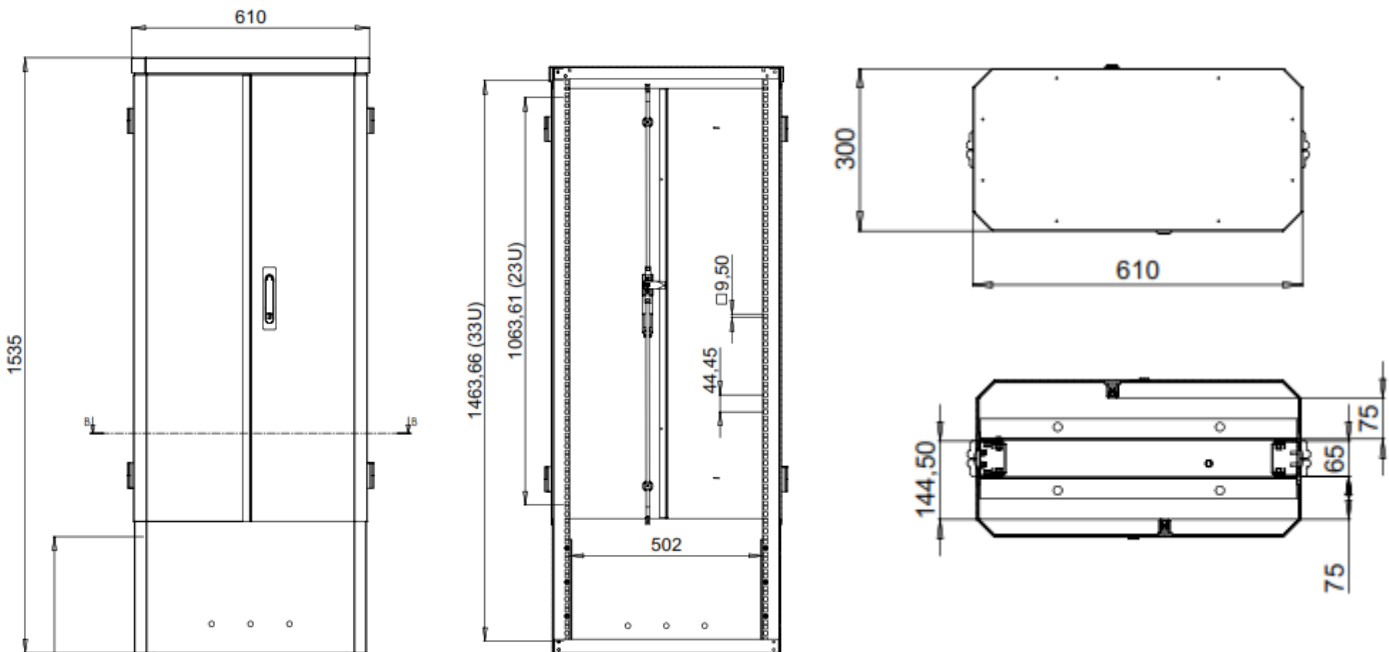
Features & Benefits

- Meets International standards and provides a tough corrosion resistant finish for longer life.
- Rugged metal housing made of galvanized steel for durability and minimum maintenance costs.
- Front and Rear access.
- Hinged doors enable easy access.
- Removable base cover provides easier installation.
- 21" Mounting Rails 33 (RU)
- Padlock mechanism ensures security from unauthorized entry.
- Can be fixed using Mounting stakes (ordered separately)
- Allows installation flexibility for multiple applications.
- Excellent Dust-proof property

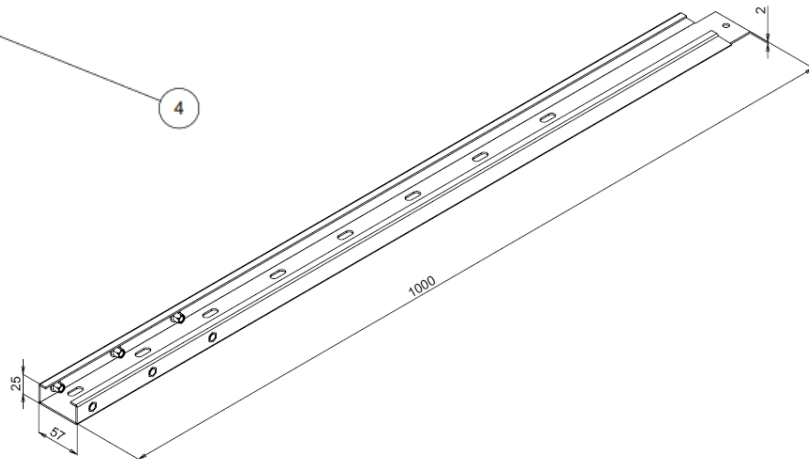
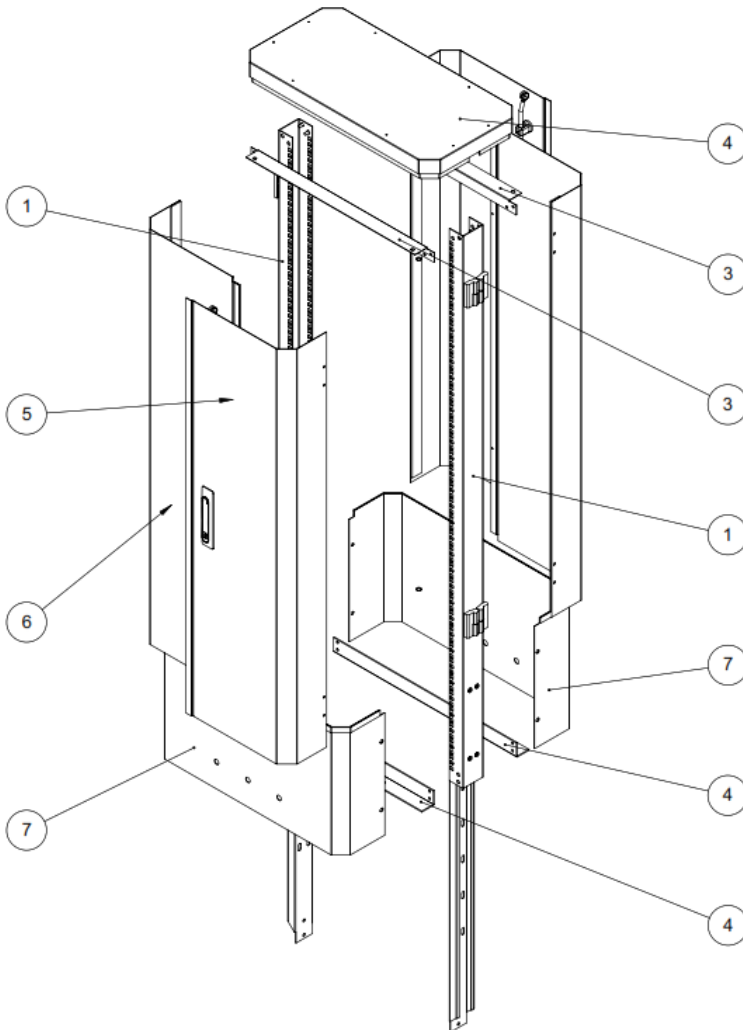
Technical Specification

- Product Dimension : 610mm (W) X 1535mm (H) X 300mm (D)
- Equivalent to UPC1278

Dimensional Details



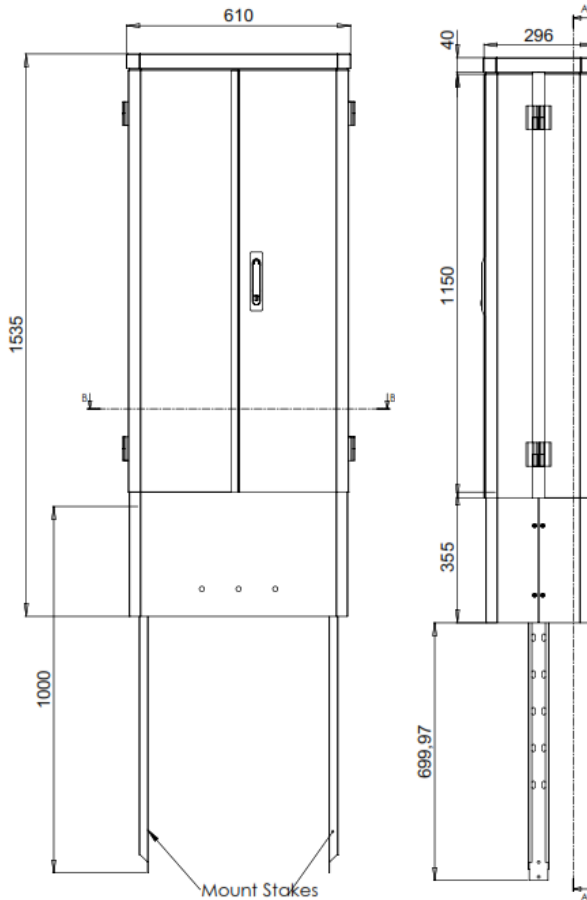
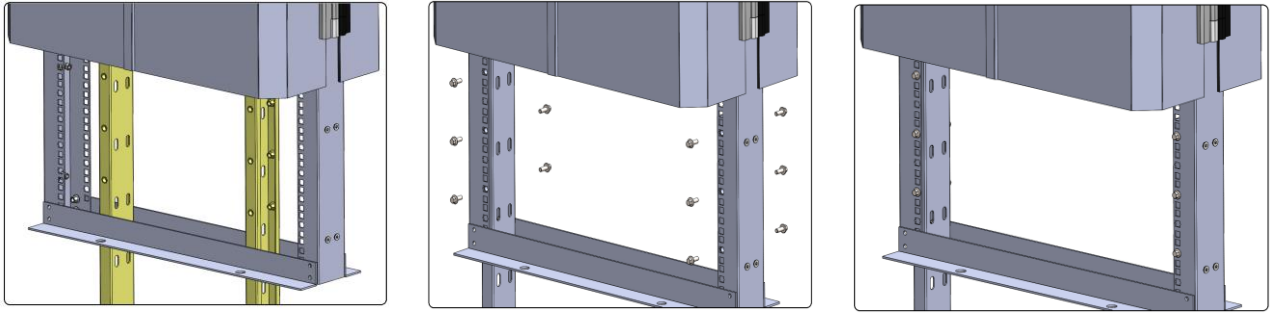
ITEM NO	PART NAME	THICKNESS	MATERIAL	FINISHED	QTY
1	Base	2,00	Galvanized	RAL 7035	2
2	Bottom Support	3,00	Galvanized	RAL 7035	2
3	Top Support	1,50	Galvanized	RAL 7035	2
4	Top Cover	1,50	Galvanized	RAL 7035	1
5	Right Door-Lock	1,50	Galvanized	RAL 7035	2
6	Left Door-Hinges	1,50	Galvanized	RAL 7035	2
7	Bottom Cover	1,50	Galvanized	RAL 7035	2



Mounting Stakes

- Mounting Stake Dimension : 1000mm (L) X 57mm (W) X 25mm (D)
- Thickness is 2mm
- Mill Galvanized finish

Assembling the Mounting Stakes



Part Number

D31019-UPC332130GY

DME PROLINK UPC Pedestal 33U (H), 21" Mounting Rails, 610mm (W), 300mm (D), with Double Doors Front/Rear with Lock, Grey

D31019-MS157252GY

DME PROLINK Mounting Stake for UPC Pedestal, Grey / Dimension : 1000mm (L) X 57mm (W) X 25mm (D), 2mm (T) – 2 Nos. in one set