



Overview

DME PROLINK's KVM Switch over IP has integrated 19" LCD monitor, keyboard, and touchpad in a 1U rack-mountable housing. This CAT5 LCD KVM over IP Switch is a control unit that allows secure access to 16 computers from a single KVM console. This KVM switch features IP-based connectivity that allows local and remote operators to monitor and access the computers concurrently. With TCP/IP communications protocol, all connected servers can be accessed from any computer on the LAN, WAN or Internet. It's easy to set up the CAT5 LCD KVM over IP Switch, just plug the cable into the appropriate port, no software required, no complicated installation procedures, and no compatibility issues. Connect computers using CAT5e/6 cable terminated with RJ45 Connectors. The transmitting distance is up to 100m.

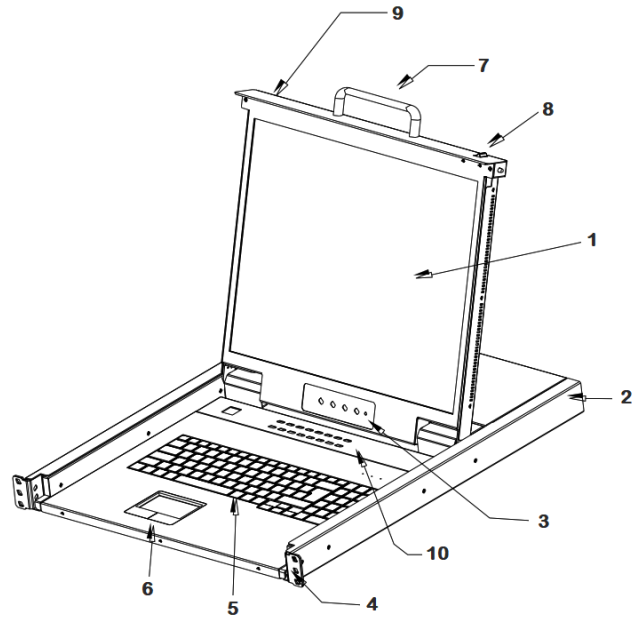
Hardware Features

- 19" TFT LCD monitor with highlight, high definition and high resolution
- Full size keyboard with integrated number pad
- Rack-mountable in 1U System rack
- Integrated trackball – eliminates the need for a separate, external mouse
- Dual power supply



KVM Switch Figure

1	LCD Monitor	6	Touchpad
2	Rear Bracket Slot	7	Handle
3	Display Menu Buttons	8	Release Switch
4	Mounting Bracket	9	Display Panel
5	Keyboard	10	Port Selection Buttons



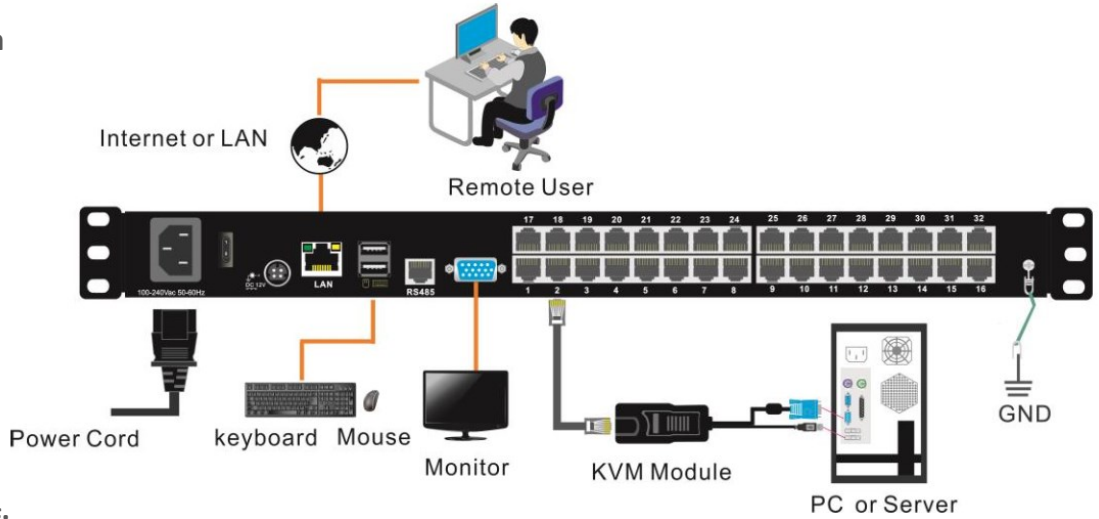
Local Console

- Control up to 8/16/24/32 computers
- Supports 1 Local user and 1 Remote user, port sharing mode allows for local and remote users to gain access to a server simultaneously
- Easy-to-use switching by browser-based UI interface, hotkeys and pushbuttons
- Support servers with VGA/DVI/HDMI port
- Multiplatform client support (Windows, Linux, Unix, Mac, Solaris (Sun), Redhat, Ubuntu)
- Local Console, Browser, and AP GUIs offer a unified Multilanguage interface
- Local resolution is up to **1280 x 1024**
- Support mouse synchronization mode – automatically synchronizes the local and remote mouse movements
- Video synchronization with local console – EDID information for local console display can be stored in the host module for
- Video resolution optimization
- Keyboard and mouse emulation to ensure the normal booting
- Auto scan feature for monitoring user-selected computer
- Hot pluggable – add or remove computers without having to power down the switch

Remote Console

- Adaptive 10/100/1000 Mbps network
- WEB browser-based remote management . A Windows client is available for remote access
- BIOS-level access
- Video quality and video tolerance can be adjusted to optimize data transfer speed.
- Data transfer speed is up to 30 FPS
- Full screen or scalable video display
- Remote users and local users can control the same server/computer synchronously
- Support AES/DES/3DES encryption
- Support audit function – allows the administrator to audit the device through the system log and operation log
- Exit Macros support
- Configurable user and group permissions for server access and control
- Message Board for communication among remote users
- Support firmware upgrade

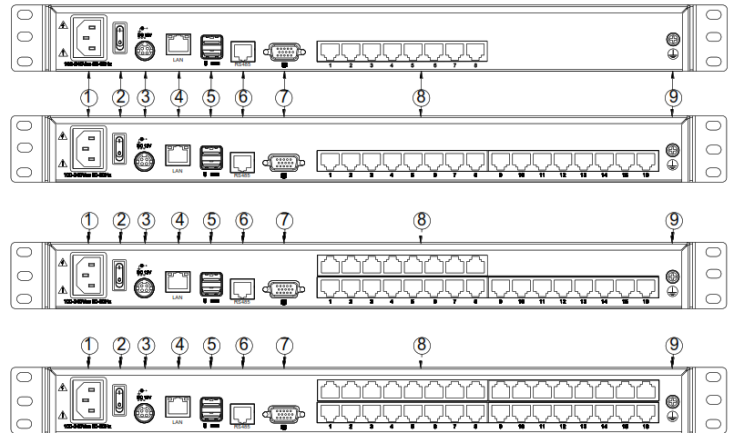
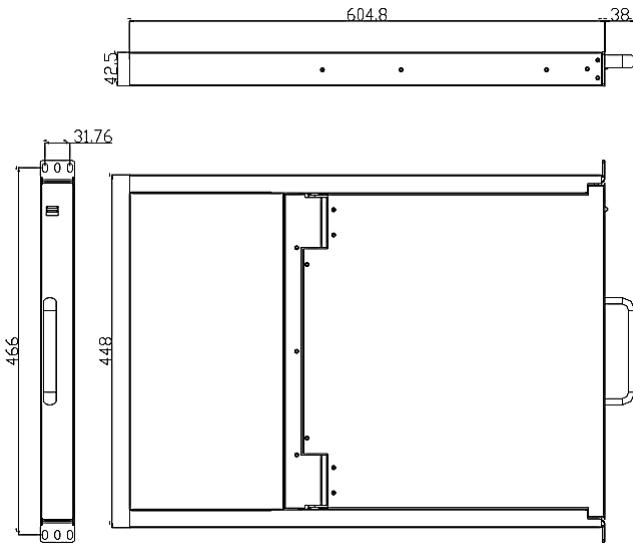
Connection Diagram



Package Consists of:

- 1 x KVM over IP Console
- 2 x Mounting Rails
- 1 x Shield Network Cable
- 1 x Power Cord
- 1 x Ground Wire
- 1 x Quick Start Guide
- 1 x User Manual

Dimensions



1	Power input(AC)	5	USB Port
2	Power switch	6	RS485 Port
3	Power input(DC)	7	Console Monitor Port
4	LAN port	8	Host Port
9	Ground Connection Screw		

Specification

Model Number		DPKVM1908	DPKVM1916	DPKVM1924	DPKVM1932
Computer Connections	Direct	8	16	24	32
	Max	8	16	24	32
Port Selection	Keyboard, Mouse	Button, UI, Web, Hotkey			
LCD Monitor	Model	SXGA TFT			
	View Area	19 "			
	Optimum Resolution	1280 × 1024 @60Hz			
	Color	16.7 M			
	Brightness	250 cd/m ²			
	Contrast Ratio	1000: 1			
	Pixel Pitch (mm)	0.2928(H) × 0.2928(W)			
Mouse	X/Y Resolution	>1000 points / inch, (40 points/mm)			
	Scroll Wheel	Supports Scroll Wheel function			
Keyboard		99 keys (82 keyboard + 17 number pad)			
Remote	Remote Control	KVM Control (ActiveX)			
	Management	Web			
	Security	DES Encrypted			
	Resolution	1920×1080@60Hz			
Power Input		100V- 240Vac, 50-60Hz, <1.5A			
Power Consumption		23W	23W	24W	25W
Operating Temperature		0 to +50 °C			
Storage Temperature		-20 to +60 °C			
Humidity		0~80% RH, Non-condensing			
Net Weight		13.4Kg	13.4Kg	13.6Kg	13.6Kg
Product Dimension (W × D × H)		448mm × 605mm × 42.5mm			
Package Dimension (W × D × H)		765mm × 615mm × 185mm			

Optional Accessories



Model Number: DPKVMA-1200U

- USB CAT5 Adapter with VGA Interface
- Transmitting Distance: 100m
- Resolution is up to 1920 x 1080 @ 60Hz



Model Number: DPKVMA-2200D

- USB CAT5 Adapter with DVI Interface
- Transmitting Distance: 100m
- Resolution is up to 1920 x 1080 @ 60Hz



Model Number: DPKVMA-3200H

- USB CAT5 Adapter with HDMI Interface
- Transmitting Distance: 100m
- Resolution is up to 1920 x 1080 @ 60Hz